



FOX METER, INC

INSTRUMENTATION FOR INDUSTRY

FM800 Series

Low cost 3-1/2 digit unit
 dual slope integrating A/D conversion
 easy mounting with steel bezel standard
 convenient pot adjustments for scaling and calibration

Functional Choices

- **FM810 - 3-1/2 digit display only:** (+/-1.9.9.9) DC volts, DC amps, AC volts, AC amps, straingauge

FM810 Series meters are now available with 120 VAC and 220 VAC power supply

General Specifications

Base meter

- **Size** - fits 1/16 DIN cutouts
- **Display** - bright .6" tall, high efficiency LED
- **Bezel** - black textured, two part epoxy enamel
- **Display window** - red non-glare cast acrylic
- **Sealing** - NEMA 4X gasketing is available at extra cost
- **Controls** - pots for scaling and calibration, plug jumpers for decimal point location
- **Connections** - socketed screw terminal connectors
- **Accuracy** - a function of calibration and scaling
- **Linearity** - < 0.05%
- **Temperature drift** - < 0.1% / 20 °C change in ambient temperature

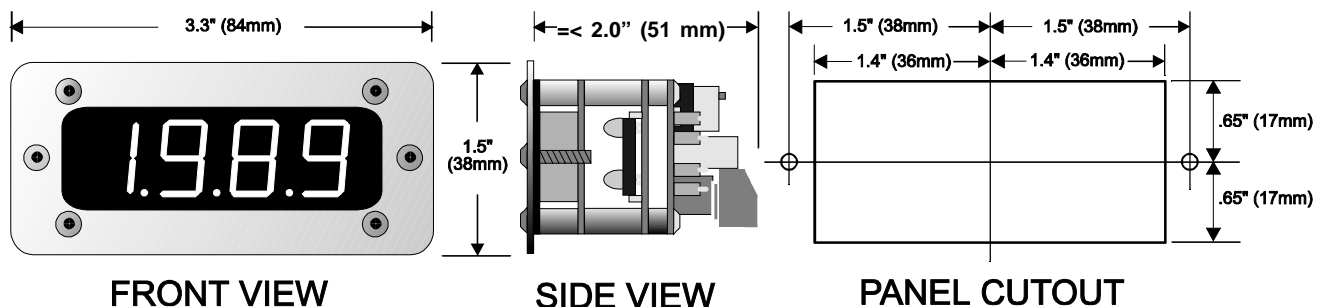
Power supplies

- **6 to 14 VDC** - 110 mA maximum
- **10 to 30 VDC** - 110 mA maximum
- **120 VAC** - 50/60 Hz
- **220 VAC** - 50/60 Hz
- **10 to 24 VAC** - 50/60 Hz

NEMA 4X Gasket

- **Q400-0109** - Seals unit from front when mounted to a panel, cost - \$12.00

FM800 Series Mechanical Specifications



FM800 Series

0.6" 3-1/2 Digit Mini

(AC or DC Voltage or Current, 4 to 20 mA, Strainauge)

Model numbers consist of two prefix letters (FM), a family number(8), a function number(1), a power supply number and a three digit signal input configuration number.

BASE METER OPTION

F **M** **8** **1**

FM81 - 3-1/2 digit display only..... \$96

POWER SUPPLY OPTIONS

[1] - 120 VAC..... \$22
 [2] - 85 to 265 VAC..... \$48
 [3] - 220 VAC..... \$28
 [4] - 6 VDC to 14 VDC Isolated..... \$33
 [5] - 6 VDC to 14 VDC..... \$11
 [7] - 10 VDC to 30VDC..... \$22
 [8] - 10 VDC to 30VDC Isolated..... \$63

SIGNAL INPUT OPTIONS

DC VOLTAGE

[140] +/- 200.0 mV DC..... \$10
 [141] +/- 2.000 V DC..... \$10
 [142] +/- 20.00 V DC..... \$10
 [143] +/- 200.0 V DC..... \$10
 [144] +/- 500.0 V DC..... \$10

STRAINGAUGE

[150] +/- 20 mV DC - 12 V DC excitation..... \$21
 [151] +/- 30 mV DC - 12 V DC excitation..... \$21
 [152] +/- 50 mV DC - 12 V DC excitation..... \$21
 [153] +/- 100 mV DC - 12 V DC excitation..... \$21

DC CURRENT - requires external shunt

[160] +/- 50 mV DC shunt input..... \$10
 [161] +/- 100 mV DC shunt input..... \$10

DC CURRENT - internal shunt

[170] +/- 200 uA DC..... \$21
 [171] +/- 2.000 mA DC..... \$21
 [172] +/- 20.00 mA DC..... \$21
 [173] +/- 200.0 mA DC..... \$21
 [174] +/- 2.000 A DC..... \$21
 [175] +/- 100 uA DC..... \$21

PROCESS SIGNALS

[212] 4 to 20 mA DC \$10
 [217] 4 to 20 mA DC - 24 V DC excitation..... \$25
 [220] 0-10VDC \$10
 [221] 0-10VDC-24VDC excitation..... \$25

DC CURRENT - includes external shunt

[234] +/- 2.000 A DC..... \$41
 [235] +/- 20.00 A DC..... \$41
 [236] +/- 200.0 A DC..... \$41

AC VOLTAGE

[303] 0 to 200.0 mV AC..... \$27
 [304] 0 to 2.000 V AC..... \$27
 [305] 0 to 20.00 V AC..... \$27
 [306] 0 to 200.0 V AC..... \$27
 [307] 0 to 500.0 V AC..... \$27

AC CURRENT - includes external sensor

[363] 0 to 2.000 A AC..... \$44
 [365] 0 to 20.00 A AC..... \$44
 [366] 0 to 200.0 A AC..... \$69
 [369] 0 to 5.00 A AC..... \$44