

FOX METER, INC

INSTRUMENTATION FOR INDUSTRY

FH500 Series

High performance panel instruments
 uP based electronics, high performance
 delta-sigma A /D with 65,000 counts resolution for
 unparalleled accuracy and linearity, input range optimized per customer requirement

Functional Choices

- **FH510 - Process:** DC volts, amps, or 4 to 20 mA; dual scale factors; peak and valley displays
- **FH520 - Ohmmeter:** user specified resistance range
- **FH530 - Process:** 24 VDC excitation or **Straingauge:** 10VDC excitation (specify signal, ie. 30mV or 4-20mA)
- **FH540 - TRMS AC:** volts or amps
- **FH550 - Integrating DC input:** 4 to 20 mA input, scalable rate plus bi-directional totalizing function. Display: charge in Amp-hours, flow rate in total gallons, plating thickness in Amp-minutes, etc.
- **FH560 - Non-linear DC input:** square root function for differential pressure to flowrate, and cosine function for phase angle to power factor conversion
- **FH570 - Thermocouple:** specify type B, E, J, K, R, S, or T; linearized to full T/C range
- **FH580 - RTD:** 100 Ohm platinum, 0.01 degree resolution C or F
- **FH590 - High speed DC input:** user selectable 10.8 to 104.4 updates per second

General Specifications

Base meter

- **Display** - 5" tall 4-digit tri-color LED
- **Bezel** - stainless steel
- **Display window** - non-glare glass with silicone seal
- **Sealing** - NEMA 4X gasketing standard
- **Controls** - setup menu is accessed via switches located on rear of meter
- **Connections** - socketed screw terminal connectors for signal, power, and control inputs
- **Viewing distance** - up to 250 feet
- **Operating temperature** - -55°C to +85°C

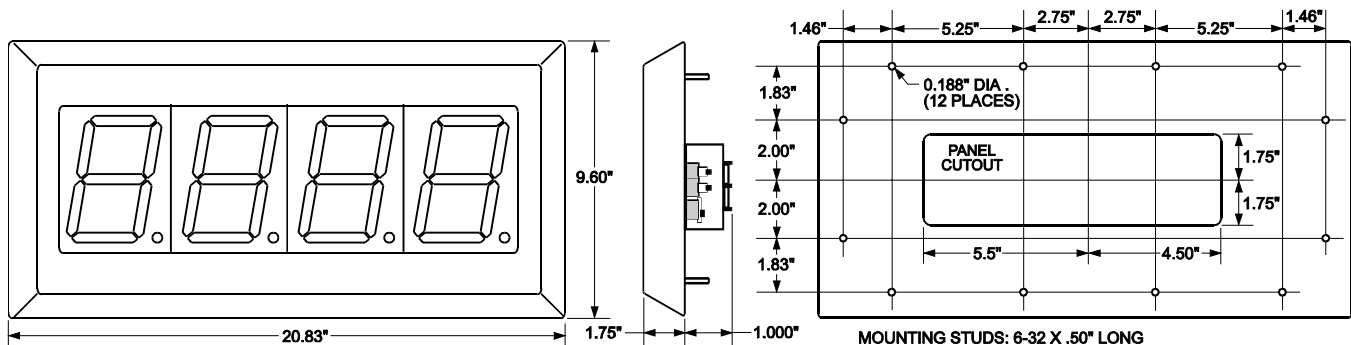
Outputs

- **Serial ASCII** - RS232, RS422/485, current loop
- **Parallel BCD** - 5 word / bit modes
- **Analog** - 4 To 20 mA, 1-5 V
- **Relay** - up to 4 setpoints, 200V @ 1A relay outputs require 1 F000-920 master setpoint module and up to 3 F000-924 slave setpoint modules

Power supplies

- **120 VAC** - 50 / 60 Hz, 20 mA maximum
- **220 VAC** - 50 / 60 Hz, 10 mA maximum

FH500 Series Mechanical Specifications



FH500 Series

5" 4-Digit Tri-Color

(Voltage, Current, Resistance, Temperature)

Model numbers consist of two prefix letters, a family number, a function number, a power supply number, and a three digit I/O configuration number. Family number 5 indicates base analog meter, family number 6 indicates the addition of the setpoint interface.

BASE METER OPTIONS F H [] [] [] - [] [] []

FH[51] - DC process.....	\$1356	FH[61] - DC process.....	\$1395
FH[52] - Ohmmeter.....	\$1384	FH[62] - Ohmmeter.....	\$1422
FH[53] - Straingauge.....	\$1384	FH[63] - Straingauge.....	\$1422
FH[54] - TRMS AC.....	\$1373	FH[64] - TRMS AC.....	\$1411
FH[55] - Integrating DC input.....	\$1378	FH[65] - Integrating DC input.....	\$1417
FH[56] - Non-Linear DC input.....	\$1378	FH[66] - Non-Linear DC input.....	\$1417
FH[57] - Thermocouple.....	\$1384	FH[67] - Thermocouple.....	\$1422
FH[58] - RTD.....	\$1373	FH[68] - RTD.....	\$1411
FH[59] - High speed DC input.....	\$1422	FH[69] - High speed DC input.....	\$1461

POWER SUPPLY OPTIONS [] [] [] [] [] - [] [] []

[1] - 120 VAC 50 / 60 Hz.....	\$0
[3] - 240 VAC 50 / 60 Hz.....	\$30
[8] - 120 VAC with battery backed data.....	\$50

INPUT / OUTPUT OPTIONS [] [] [] [] [] - [] [] []

[651] - RS232C serial ASCII data.....	\$35
[652] - RS422 serial ASCII data.....	\$24
[653] - RS485 4-wire serial ASCII data.....	\$48
[655] - Isolated current loop ASCII data.....	\$72
[657] - RS232C and RS232C auxillary.....	\$179
[658] - RS232C and RS422 auxillary.....	\$168
[659] - No data inputs / no outputs.....	\$0
[661] - RS232C and 4 to 20 mA analog out.....	\$233
[662] - RS422 and 4 to 20 mA analog out.....	\$222
[665] - C/L and 4 to 20 mA analog out.....	\$270
[671] - RS232C and parallel data out.....	\$134
[672] - RS422 and parallel data out.....	\$128
[675] - C/L and parallel data out.....	\$176
[681] - RS232C and parallel data in.....	\$139
[682] - RS422 and parallel data in.....	\$128
[685] - C/L and parallel data in.....	\$176
[691] - Isolated 4 to 20 mA output.....	\$198
[692] - Parallel data outputs sinking.....	\$104
[693] - Parallel data inputs sinking.....	\$104
[694] - Parallel data outputs sourcing.....	\$104
[695] - Parallel data inputs sourcing.....	\$104