



FOX METER, INC

INSTRUMENTATION FOR INDUSTRY

FC100 Series

Lower cost 4-digit microprocessor based meter with high performance delta-sigma A/D with 65,000 counts resolution, available with 5 convenient front panel controls or NEMA 4X sealing

Functional Choices

- **FC100:** front panel controls, no setpoint relays
- **FC110:** front panel controls, two setpoint relays
- **FC120:** NEMA 4X (no front panel controls), no setpoint relays
- **FC130:** front panel controls, no setpoint relays, isolated 24VDC excitation
- **FC140:** NEMA 4X (no front panel controls), two setpoint relays
- **FC150:** front panel controls, two setpoint relays, isolated 24VDC excitation
- **FC160:** NEMA 4X (no front panel controls), two setpoint relays, isolated 24VDC excitation
- **FC170:** NEMA 4X (no front panel controls), no setpoint relays, isolated 24VDC excitation

General Specifications

Base meter

- **Size** - fits 1/8 DIN cutouts
- **Display** - bright .6" tall, high efficiency LED
- **Bezel** - black high impact ABS plastic, UL-VO94
- **Display window** - red non-glare cast acrylic
- **Sealing** - NEMA 4X gasketing available
- **Controls** - setpoint, peak, valley, tare, and setup menu accessible via front panel push buttons; NEMA 4X models require FC000-940 remote programmer module
- **Connections** - socketed screw terminal connectors
- **Accuracy** - better than 0.05% F.S. over specified operating temperature range

Outputs

- **Relay** - up to 2 setpoints, 200V @ 1A relay outputs, independently programmable N/C or N/O

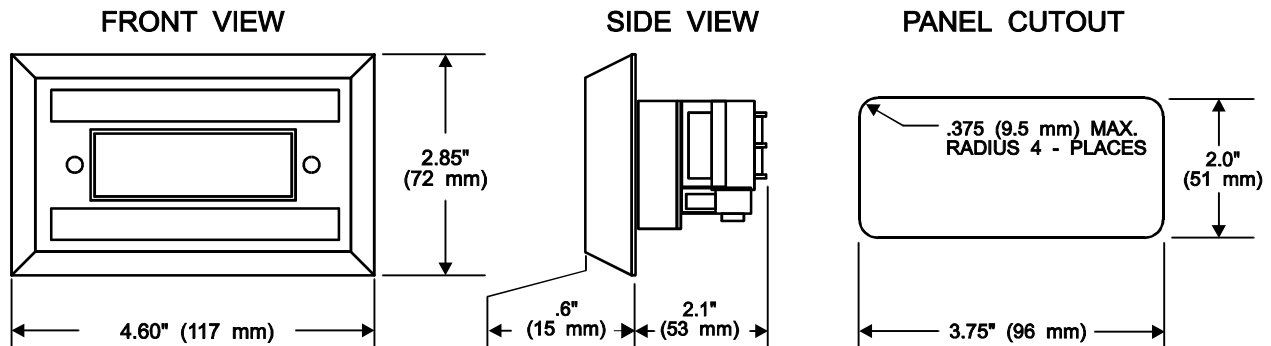
Power supplies

- **120 VAC** - 50 / 60 Hz, 20 mA maximum
- **220 VAC** - 50 / 60 Hz, 10 mA maximum
- **5.1 to 12 VDC** - isolated, 100 mA maximum
- **5.1 to 12 VDC** - 100 mA maximum
- **10 to 30 VDC** - 50 mA maximum
- **10 to 30 VDC** - isolated, 50 mA maximum

Accessories

- **FC000-940** - remote programmer module..... \$87

FC100 Series Mechanical Specifications



FC100 Series

0.6" 4-Digit 1/8 DIN

(Voltage, Current, Resistance, Temperature)

Model numbers consist of a three character family number (FC1), an option number, a power supply number, and a three digit input configuration number.

BASE METER OPTIONS



| | |
|--|-------|
| FC1[0] -no options..... | \$173 |
| FC1[1] -two relays..... | \$221 |
| FC1[2] -NEMA 4X, no relays..... | \$167 |
| FC1[3] -excitation..... | \$204 |
| FC1[4] -NEMA 4X, two relays..... | \$215 |
| FC1[5] -two relays, excitation..... | \$252 |
| FC1[6] -NEMA 4X, two relays, excitation..... | \$246 |
| FC1[7] -NEMA 4X, excitation..... | \$198 |

POWER SUPPLY OPTIONS



| | |
|----------------------------------|------|
| [1] - 120 VAC 50 / 60 Hz..... | \$24 |
| [3] - 240 VAC 50 / 60 Hz..... | \$36 |
| [5] - 5.1 to 12VDC..... | \$24 |
| [6] - 5.1 to 12VDC isolated..... | \$66 |
| [7] - 10 to 30VDC..... | \$54 |
| [8] - 10 to 30VDC isolated..... | \$80 |

SIGNAL INPUT OPTIONS



| | | | |
|--|------|---|------|
| [100] - Process, 4-20mA..... | \$0 | [620] - DC Voltmeter, 2 VDC..... | \$0 |
| [110] - Process, 1-5VDC..... | \$0 | [630] - DC Voltmeter, 20 VDC..... | \$0 |
| [120] - Process, 0-10VDC..... | \$0 | [640] - DC Voltmeter, 200 VDC..... | \$0 |
| | | [650] - DC Voltmeter, 600 VDC..... | \$0 |
| [200] - Thermometer, 100 Ohm RTD..... | \$37 | | |
| | | [700] - DC Ammeter, 50uA Internal Shunt..... | \$0 |
| [300] - Resistance, 20 Ohm..... | \$37 | [710] - DC Ammeter, 200mA Internal Shunt..... | \$0 |
| [310] - Resistance, 200 Ohm..... | \$37 | [720] - DC Ammeter, 2A External Shunt..... | \$42 |
| [320] - Resistance, 2K Ohm..... | \$37 | [730] - DC Ammeter, 20A External Shunt..... | \$42 |
| [330] - Resistance, 20K Ohm..... | \$37 | [740] - DC Ammeter, 200A External Shunt..... | \$42 |
| | | | |
| [400] - Strain gauge, 30mV w/10VDC Excitation..... | \$31 | [810] - AC Voltmeter, 200mVAC..... | \$18 |
| | | [820] - AC Voltmeter, 2VAC..... | \$18 |
| [500] - Thermometer, Type J T/C..... | \$18 | [830] - AC Voltmeter, 20VAC..... | \$18 |
| [510] - Thermometer, Type K T/C..... | \$18 | [840] - AC Voltmeter, 200VAC..... | \$18 |
| [520] - Thermometer, Type R T/C..... | \$18 | [850] - AC Voltmeter, 600VAC..... | \$18 |
| [530] - Thermometer, Type S T/C..... | \$18 | | |
| [540] - Thermometer, Type T T/C..... | \$18 | [910] - AC Ammeter, 200mA..... | \$70 |
| [550] - Thermometer, Type E T/C..... | \$18 | [920] - AC Ammeter, 2A..... | \$70 |
| | | [925] - AC Ammeter, 5A..... | \$70 |
| [610] - DC Voltmeter, 200mVDC..... | \$0 | [930] - AC Ammeter, 20A..... | \$70 |
| | | [940] - AC Ammeter, 200A..... | \$97 |