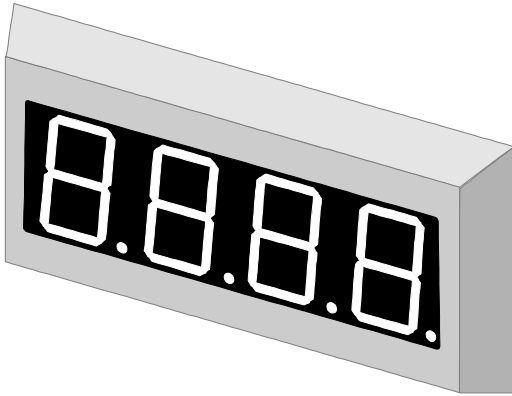


FOX METER, INC

INSTRUMENTATION FOR INDUSTRY



FB300 Series

High performance panel instruments
 uP based electronics, easily modified
 for those special applications that involve
 communications, counting, timing, speed or display

Functional Choices

- **FB310 - Universal remote display:** ASCII RS232, RS422, current loop or parallel BCD, menu selectable firmware drivers for many scales and intelligent sensors
- **FB320 - Clock remote:** ASCII remote display with lighted colons for use with F390 master clock
- **FB330 - Dual counter:** scaleable, < 2KHz pulsed or contact, non-contending dual count inputs
- **FB340 - Universal counter:** scaleable, bi-directional, quadrature, < 50 KHz pulsed or contact
- **FB350 - Rate meter / tachometer:** hour, minute, second and variable time base, fully scaleable rate
- **FB360 - Frequency meter:** 1 Hz to 10 MHz, decade shift menu selectable, precision gated counter
- **FB370 - Decade timers:** selectable time base from hours to .0001 seconds, 11 selectable modes
- **FB380 - HH:MM or MM:SS timer:** like the F370 there are 11 program selectable control modes
- **FB390 - Master clock:** 12 or 24 hour, date modes, accurate time keeping to 2099!

General Specifications

Base Meter

- **Display** - 4-digit, 3" tall tri-color LED
- **Bezel** - stainless steel
- **Display window** - non-glare glass with silicone seal
- **Sealing** - NEMA 4X gasketing standard
- **Controls** - setup menu is accessed via switches located on rear of meter
- **Connections** - socketed screw terminal connectors
- **Remote control inputs** - various functions available based on meter function
- **Viewing distance** - up to 150 feet
- **Operating temperature** - -55°C to +85°C

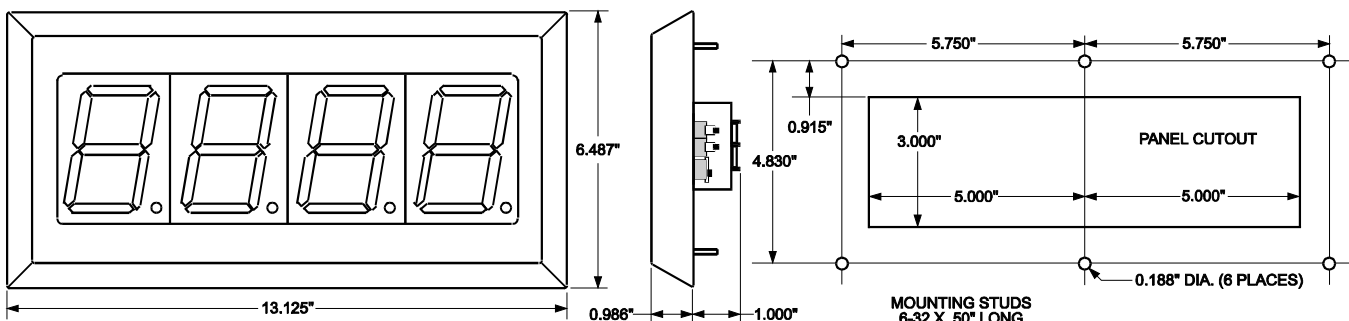
Outputs

- **Serial ASCII** - RS232, RS422/485, current loop
- **Parallel BCD** - 5 word / bit modes
- **Analog** - 4 To 20 mA, 1-5 V
- **Relay** - up to 4 setpoints, 200V @ 1A relay outputs require 1 F000-920 master setpoint module and up to 3 F000-924 slave setpoint modules

Power supplies

- **120 VAC** - 50 / 60 Hz, 20 mA maximum
- **120 VAC** - with battery backed data
- **220 VAC** - 50 / 60 Hz, 10 mA maximum

FB300 Series Mechanical Specifications



FB300 Series

3" 4-Digit Tri-Color

(Display, Clock, Timer, Counter, Frequency)

Model numbers consist of two prefix letters, a family number, a function number, a power supply number, and a three digit I/O configuration number. Family number 3 indicates base meter, family number 4 indicates the addition of the setpoint interface.

BASE METER OPTIONS F B -

FB[31] - Universal remote display.....	\$749	FB[41] - Universal remote display.....	\$810
FB[32] - Clock remote.....	\$777	FB[42] - Clock remote.....	\$837
FB[33] - Dual counter.....	\$821	FB[43] - Dual counter.....	\$859
FB[34] - Universal counter.....	\$821	FB[44] - Universal counter.....	\$859
FB[35] - Rate meter / tachometer.....	\$826	FB[45] - Rate meter / tachometer.....	\$865
FB[36] - Frequency meter.....	\$826	FB[46] - Frequency meter.....	\$865
FB[37] - Decade timers.....	\$788	FB[47] - Decade timers.....	\$848
FB[38] - HH:MM or MM:SS timer.....	\$788	FB[48] - HH:MM or MM:SS timer.....	\$848
FB[39] - Master clock.....	\$799	FB[49] - Master clock.....	\$859

POWER SUPPLY OPTIONS -

[1] - 120 VAC 50 / 60 Hz.....	\$0
[3] - 240 VAC 50 / 60 Hz.....	\$30
[8] - 120 VAC with battery backed data.....	\$50

INPUT / OUTPUT OPTIONS -

[651] - RS232C serial ASCII data.....	\$35
[652] - RS422 serial ASCII data.....	\$24
[653] - RS485 4-wire serial ASCII data.....	\$48
[655] - Isolated current loop ASCII data.....	\$72
[657] - RS232C and RS232C auxillary.....	\$179
[658] - RS232C and RS422 auxillary.....	\$168
[659] - No data inputs / no outputs.....	\$0
[661] - RS232C and 4 to 20 mA analog out.....	\$233
[662] - RS422 and 4 to 20 mA analog out.....	\$222
[665] - C/L and 4 to 20 mA analog out.....	\$270
[671] - RS232C and parallel data out.....	\$139
[672] - RS422 and parallel data out.....	\$128
[675] - C/L and parallel data out.....	\$176
[681] - RS232C and parallel data in.....	\$139
[682] - RS422 and parallel data in.....	\$128
[685] - C/L and parallel data in.....	\$176
[691] - Isolated 4 to 20 mA output.....	\$198
[692] - Parallel data outputs sinking.....	\$104
[693] - Parallel data inputs sinking.....	\$104
[694] - Parallel data outputs sourcing.....	\$104
[695] - Parallel data inputs sourcing.....	\$104