

FOX METER, INC

INSTRUMENTATION FOR INDUSTRY

F100 Series

Traditional 3-1/2 and 4-1/2 digit units
 dual slope integrating A/D conversion
 easy mounting with NEMA 4X sealing standard
 convenient pot adjustments for scaling and calibration

Functional Choices

- **F110 - 3-1/2 digit display only:** (+/-1.9.9.9) select inputs from list at right
- **F120 - 4-1/2 digit display only:** (+/-1.9.9.99) select inputs from list at right
- **F130 - 3-1/2 digit with analog out:** (+/-1.9.9.9) select inputs from list at right
- **F140 - 4-1/2 digit with analog out:** (+/-1.9.9.99) select inputs from list at right

General Specifications

Base meter

- **Size** - fits 1/8 DIN cutouts
- **Display** - bright .6" tall, high efficiency LED
- **Bezel** - black high impact ABS plastic, UL-VO94
- **Display window** - red non-glare cast acrylic
- **Sealing** - NEMA 4X gasketing standard
- **Controls** - pots for scaling and calibration, dip switch for decimal point location
- **Connections** - socketed screw terminal connectors
- **Accuracy** - a function of calibration and scaling
- **Linearity** - 3-1/2 < 0.05%, 4-1/2 < 0.02%
- **Temperature Drift** - 3-1/2 < 0.1% / 20 °C change, 4-1/2 < 0.02% / 20 °C change

Power supplies

- **120 VAC** - 50 / 60 Hz, 20 mA maximum
- **220 VAC** - 50 / 60 Hz, 10 mA maximum
- **5 VDC** - isolated, 100 mA maximum
- **5.1 to 14 VDC** - 100 mA maximum
- **10 to 30 VDC** - 50 mA maximum

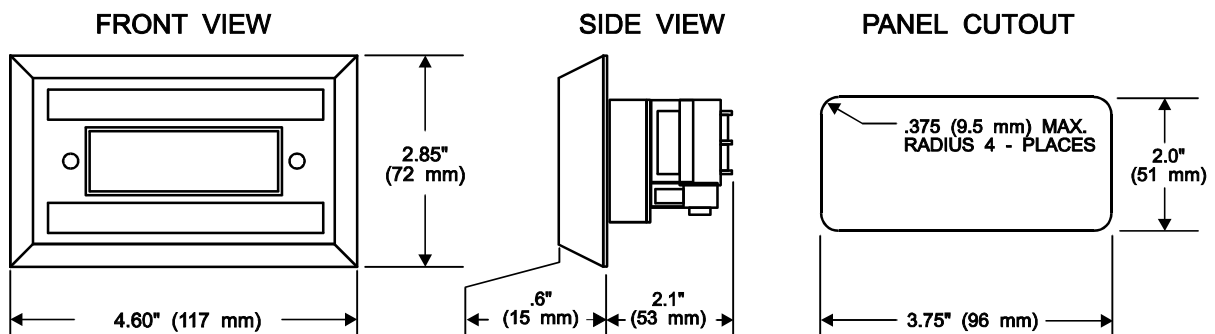
Note:

- If Thermocouple, RTD, or averaging AC inputs; or setpoint outputs are desired, use FC100 series

Outputs

- **Analog** - 4 to 20 mA, 1-5 V

F100 Series Mechanical Specifications



FOX METER, Inc., 5403 Patton Dr. Unit 218, Lisle, IL 60532 • Phn: 630-968-3635 • Fax: 630-541-8804 • E-mail: sales@foxmeter.com

F100 Series

3-1/2 & 4-1/2 Digit 1/8 DIN

(DC, TRMS AC, Volts, Amps, Ohms, Process)

Model numbers consist of a prefix letter(F), a family number(1), a function number, a power supply number and a three digit signal input configuration number.

BASE METER OPTIONS



- F1[1] - 3-1/2 digit display only..... \$192
- F1[2] - 4-1/2 digit display only..... \$252

POWER SUPPLY OPTIONS



- [1] - 120 VAC 50 / 60 Hz..... \$24
- [3] - 240 VAC 50 / 60 Hz..... \$36
- [4] - 5 VDC isolated..... \$72
- [5] - 5.1 VDC to 14 VDC..... \$24
- [7] - 10 VDC to 30 VDC..... \$48

SIGNAL INPUT OPTIONS



DC VOLTS

- [100] +/-200.0 mV DC.... \$20
- [101] +/-2.000 V DC..... \$20
- [102] +/-20.00 V DC..... \$11
- [103] +/-200.0 V DC..... \$11

DC VOLTS - wide span

- [110] +/-100.0 mV DC.... \$20
- [111] +/-1.000 V DC..... \$20
- [112] +/-2.000 V DC..... \$20
- [113] +/-5.000 V DC..... \$11
- [114] +/-10.00 V DC..... \$11
- [115] +/-20.00 V DC..... \$11
- [116] +/-100.0 V DC..... \$11

DC VOLTS - differential

- [120] +/-200.0 mV DC.... \$30
- [121] +/-2.000 V DC..... \$30
- [122] +/-20.00 V DC..... \$30
- [123] +/-200.0 V DC..... \$30
- [124] +/-300 V DC..... \$30
- [125] +/-500 V DC..... \$30

DC VOLTS - wide span

fine zero

- [130] +/-100.0 mV DC.... \$28
- [132] +/-2.000 V DC..... \$28
- [133] +/-5.000 V DC..... \$18
- [134] +/-10.00 V DC..... \$18
- [135] +/-20.00 V DC..... \$18
- [136] +/-100.0 V DC..... \$18

DC VOLTS - wide span

wide zero

- [140] +/-100.0 mV DC.... \$28
- [141] +/-1.000 V DC..... \$18
- [142] +/-2.000 V DC..... \$18
- [143] +/-5.000 V DC..... \$18
- [144] +/-10.00 V DC..... \$18
- [145] +/-20.00 V DC..... \$18
- [146] +/-100.0 V DC..... \$18

DC CURRENT -

+internal shunt

- [170] +/-2.000 mA DC.... \$28
- [171] +/-20.00 mA DC.... \$28
- [172] +/-200.0 mA DC.... \$28
- [173] +/-2.000 A DC..... \$28

DC CURRENT - wide span

wide zero

- [210] +/-1.0 mA DC..... \$35
- [211] +/-10.0 mA DC..... \$35
- [212] 4 to 20 mA DC..... \$35
- [213] 10 to 50 mA DC.... \$35
- [214] +/-100.0 mA DC.... \$35

DC CURRENT -

external shunt

- [234] +/-2.000 A DC..... \$59
- [235] +/-20.00 A DC..... \$59
- [236] +/-200.0 A DC..... \$65

RESISTANCE

- [243] 0 to 200.0 Ohms... \$90
- [244] 0 to 2.000 kOhms. \$90
- [245] 0 to 20.00 kOhms. \$90

AC VOLTS - TRMS

- [333] 200.0 mV AC..... \$56
- [334] 2.000 V AC..... \$56
- [335] 20.00 V AC..... \$56
- [336] 200.0 V AC..... \$56
- [337] 600 V AC..... \$56

AC CURRENT - TRMS

with transformer

- [383] 200.0 mA AC..... \$116
- [384] 2.000 A AC..... \$116
- [385] 20.00 A AC..... \$116
- [386] 200.0 A AC..... \$134