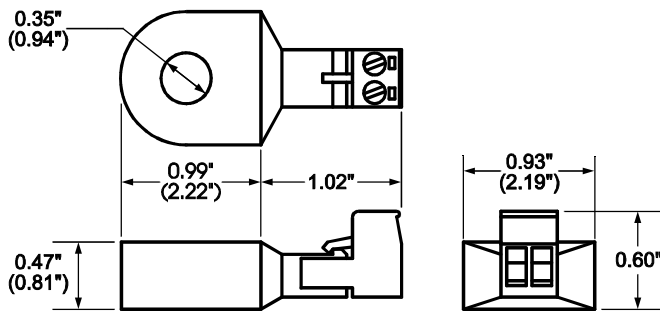


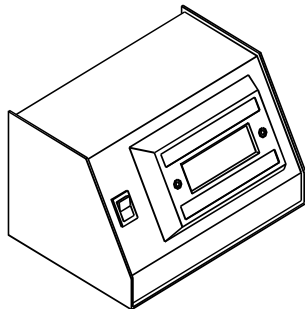
AC Current Transformers



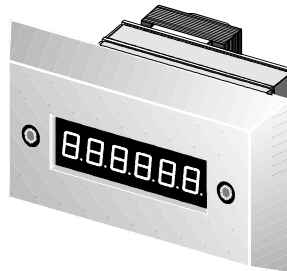
- Frequency range: 20Hz to 20KHz
- Convenient pluggable terminal block wiring
- Dimensions in parentheses apply to R450-2000

- R450-0002 - 200 mA to 200 mVAC.....\$62
- R450-0020 - 2.00 A to 1.00 VAC.....\$62
- R450-0050 - 5.00 A to 1.00 VAC.....\$62
- R450-0200 - 20.00 A to 1.00 VAC.....\$62
- R450-2000 - 200.0 A to 1.00 VAC.....\$90

Stainless Steel Enclosures for Fox 1/8 DIN Panel Meters



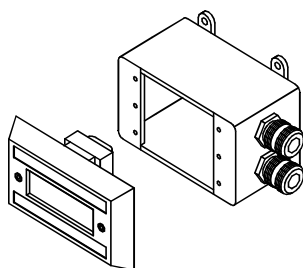
R755-0101
Desktop enclosure



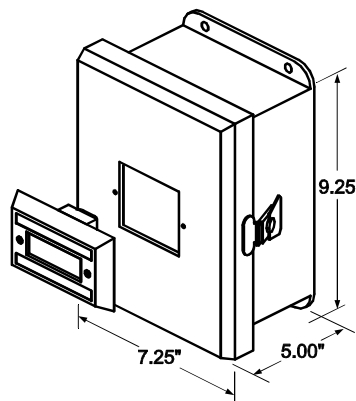
R770-0100
Stainless bezel

- R755-0101 - desktop enclosure, heavy gauge stainless steel with cord, switch, and fuse... \$179
- R770-0100 - stainless steel bezel for Fox 1/8 DIN meters.....\$77

Non-Metalic Enclosures for Fox 1/8 DIN Panel Meters



R700-0102
"Fox Box" enclosure

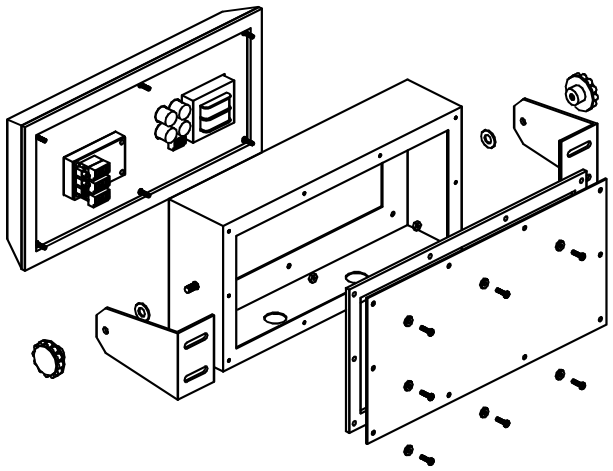


R710-0100
Hinged front cover industrial enclosure with internal panel

- R700-0100 - single meter PVC "Fox Box" no feed thru..... \$19
- R700-0101 - single meter PVC "Fox Box" 1 feed thru..... \$34
- R700-0102 - single meter PVC "Fox Box" 2 feed thrus..... \$43
- R710-0100 - single meter industrial, 8" h x 6" w x 4.5" d inside dimensions..... \$126
- R710-0101 - 2-meter industrial, 10" h x 8" w x 5" d inside dimensions..... \$150
- R710-0102 - 3-meter industrial, 12" h x 10" w x 5" d inside dimensions..... \$174
- R710-0103 - 6-meter industrial, 16" h x 14" w x 6" d inside dimensions..... \$246
- R710-0104 - 8-meter industrial, 18" h x 16" w x 9" d inside dimensions..... \$282

Accessories

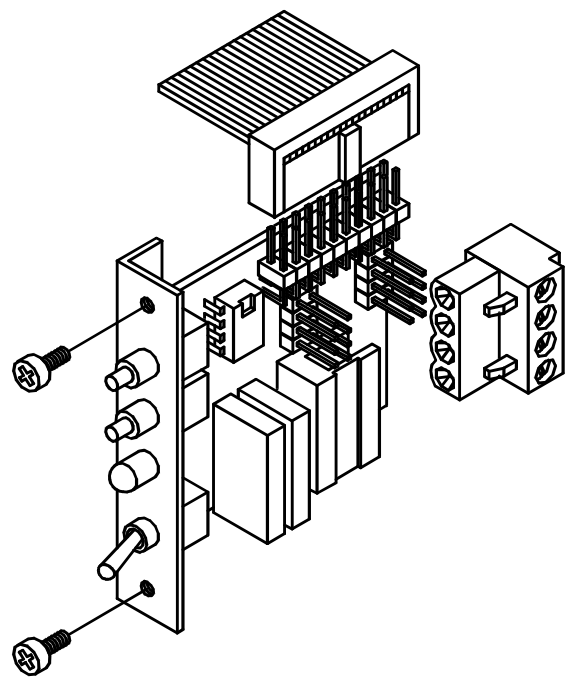
Enclosures for FA - FJ Series Large Displays



- Custom fabricated from heavy gauge #304 stainless steel
- Universal swivel mount design
- Two 1/2" conduit ports on bottom of enclosure for wiring access
- Includes mounting brackets, hand knobs, gasket and gasketed screws

- R760-0104 - FA, 4.5"h x 7.5"w x 3"d..... \$258
- R760-0100 - FB, 6.75"h x 13.25"w x 3.25"d... \$456
- R760-0101 - FG, 6.75"h x 18.88"w x 3.25"d... \$468
- R760-0102 - FH, 9.75"h x 21.13"w x 3.25"d... \$480
- R760-0103 - FJ, 9.75"h x 29.38"w x 3.25"d....\$516

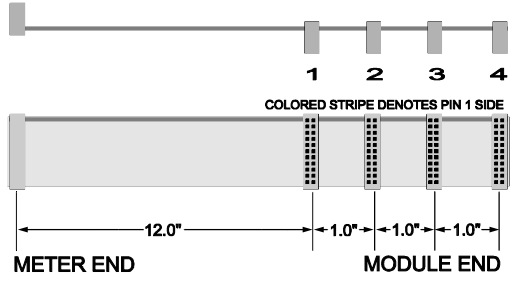
Setpoint Modules for F400 and F600 Series Meters



- Provide alarm/control outputs for an F400 or F600 series meter equipped with a setpoint interface
- A single meter can support up to 4 setpoint modules (1 master and 3 slaves)
- Toggle switch for viewing/setting the setpoint value (setpoint value appears on the meter display when the switch is pressed)
- Master setpoint module has two switches for setting the setpoint value
- Reversible bi-color (red - green) LED indicates setpoint status
- N.O. and N.C. optically coupled MOS relays switch AC or DC circuits up to 200 V at 1 Amp
- Modules mount to the panel near the host meter utilizing the switch and pot threaded barrels
- 20-conductor ribbon cable assembly provided for connection to host meter
- 4-position socketed screw terminal block provided for output connections

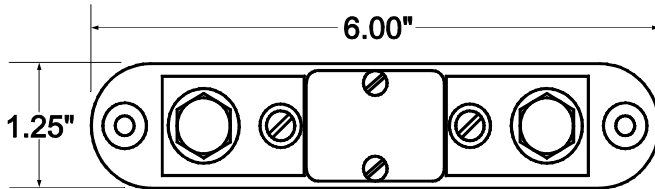
- F000-920 - master setpoint module (1 req'd per meter)..... \$126
- F000-924 - slave setpoint module (up to 3 per meter)..... \$90

Setpoint Module Cables for F400 and F600 Series Setpoint Modules



- R650-0111 - cable for 1 module..... \$18
- R650-0112 - cable for 2 modules..... \$22
- R650-0113 - cable for 3 modules..... \$26
- R650-0114 - cable for 4 modules..... \$30

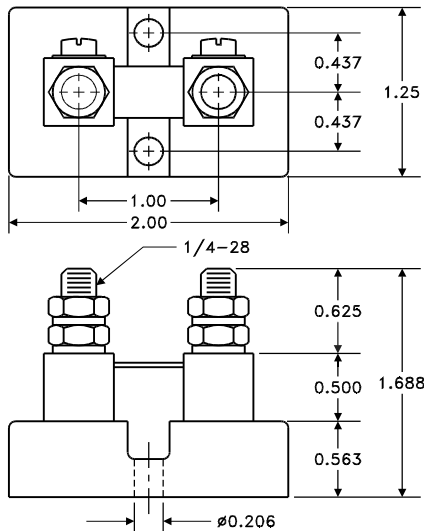
R400 Series 6" Panelboard Shunts



- Withstands up to 200% over current
- 100 mV trimmed to 0.01%

- R400-0002 - 2.000 A to 100 mV..... \$43
- R400-0005 - 5.000 A to 100 mV..... \$43
- R400-0010 - 10.00 A to 100 mV..... \$43
- R400-0020 - 20.00 A to 100 mV..... \$43
- R400-0030 - 30.00 A to 100 mV..... \$43
- R400-0050 - 50.00 A to 100 mV..... \$43
- R400-0100 - 100.0 A to 100 mV..... \$43
- R400-0200 - 200.0 A to 100 mV..... \$43

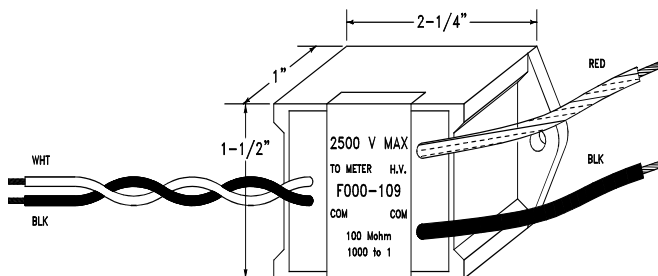
R405 Series Compact Panelboard Shunts



- Withstands up to 200% over current
- 50 mV trimmed to 0.01%

- R405-0005 - 5.000 A to 50 mV..... \$43
- R405-0010 - 10.00 A to 50 mV..... \$43
- R405-0020 - 20.00 A to 50 mV..... \$43
- R405-0050 - 50.00 A to 50 mV..... \$43
- R405-0100 - 100.0 A to 50 mV..... \$43

1000:1 Voltage Divider Module

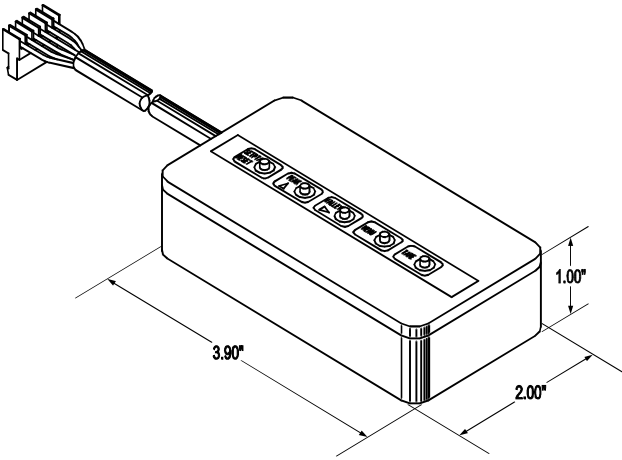


- 40" leads
- Max. input voltage: 2500V AC/DC
- Input impedance: 100Mohm
- Fully potted

- F000-109..... \$126

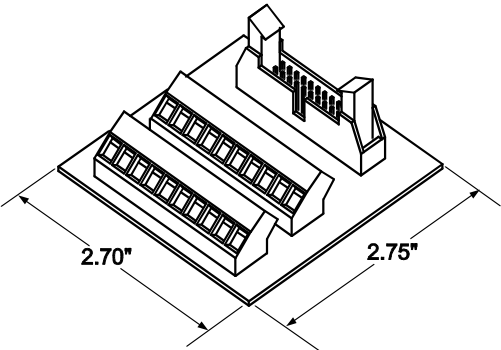
Accessories

Remote Programmer Module



- Use to program NEMA 4X models of FC100, FD100, FL100, and FV100 series meters
- Supplied with 2-1/2' cable with 6-pin IDC connector for connection to back of meter
- FC000-940 - remote programmer module..... \$57
with meter purchase.....\$27

R650 Series Connector Interface Boards



- Use to simplify input or output wiring
- R650-0108 - 9-pin D-sub male to screw terminal..... \$65
- R650-0109 - 25-pin D-sub male to screw terminal..... \$65
- R650-0110 - 20-pin ribbon cable to screw terminal (pictured) Includes 18" 20-pin ribbon cable..... \$65

Temperature Probes

- For our customer's convenience, Fox Meter carries a small inventory of thermocouples, thermocouple wire, connectors, and weather proof rubber boots for the following thermocouple types: J, N, T, K, E, R, and S
- Fox also stocks platinum RTDs
- Contact the factory for pricing and availability